

# Operating Instructions



PCM-A10

4-740-910-21(2)



## Refer to the Help Guide

This is the Operating Instructions, which provides you with instructions on the basic operations of the linear PCM recorder. The Help Guide is an online manual. Refer to the Help Guide when you would like to know further details, operations and possible solutions when a problem occurs.

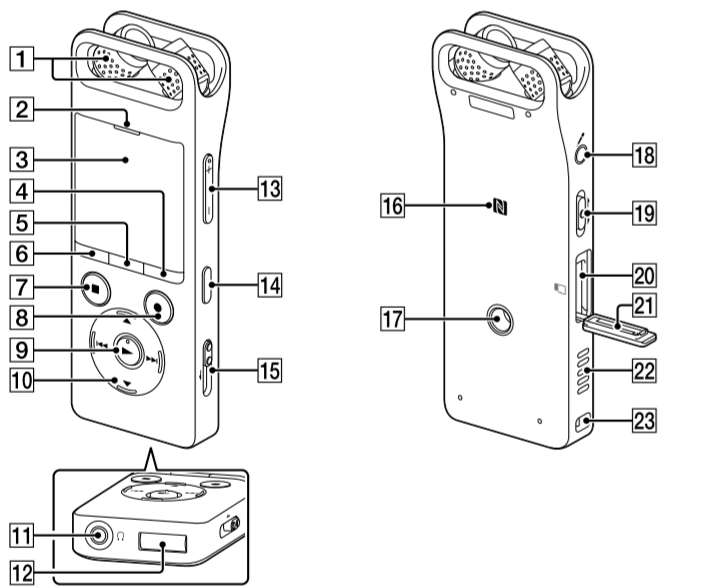
[http://rd1.sony.net/help/icd/pcm10/h\\_zz/](http://rd1.sony.net/help/icd/pcm10/h_zz/)



## Check the supplied items

- Linear PCM Recorder (1)
- Wind screen (1)
- Carrying case (1)
- Operating Instructions (this sheet)
- Warranty card (1)
- Application Software, Sound Organizer 2 (Installer file stored in the built-in memory so that you can install it to your computer.)

## Parts and controls



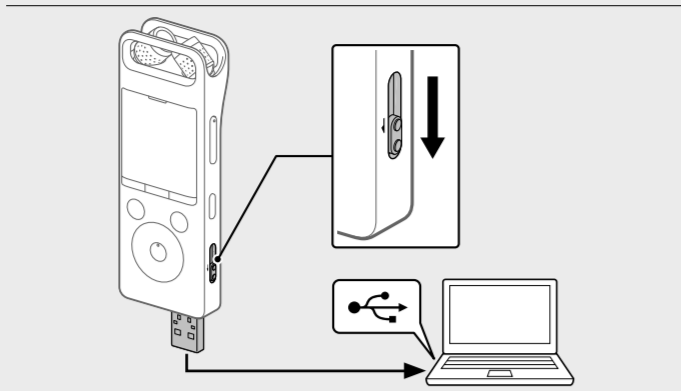
- 1 Built-in microphones
- 2 Peak indicator
- 3 Display window
- 4 OPTION button
- 5 T-MARK (track mark) button
- 6 BACK/ ← HOME button
- 7 ■STOP button
- 8 ●REC/PAUSE (record/pause) button, recording indicator
- 9 ► (play/enter) button<sup>\*1</sup>
- 10 Control button (▲ DPC (Digital Pitch Control), ▼ ◀ A-B (repeat A-B), ◀▶ (review/fast backward), ▶▶ (cue/fast forward))
- 11 ☎ (headphones) jack
- 12 USB connector cover (You can find the USB connector retracted behind the cover.)
- 13 VOL -/+<sup>+</sup> (volume +/-) button
- 14 REHEARSAL button
- 15 USB slide lever
- 16 ■ (N-mark) (Put an NFC-enabled smartphone onto this mark to establish an NFC pairing.)
- 17 Hole for attaching the tripod (No tripod is supplied with your linear PCM recorder.)
- 18 ☎ (microphone) jack
- 19 HOLD+POWER switch<sup>\*2</sup>
- 20 microSD card slot (The card slot is located under the cover.)
- 21 Slot cover
- 22 Built-in speaker
- 23 Strap hole (No strap is supplied with your linear PCM recorder.)

<sup>\*1</sup> ► (play/enter) button and VOL -/+ (volume +/-) button have a tactile dot. Use the tactile dot as a reference when operating the linear PCM recorder.

<sup>\*2</sup> Sliding the HOLD+POWER switch to "POWER" and holding it for 8 seconds or longer restarts your linear PCM recorder. For detailed instructions, refer to the Help Guide.

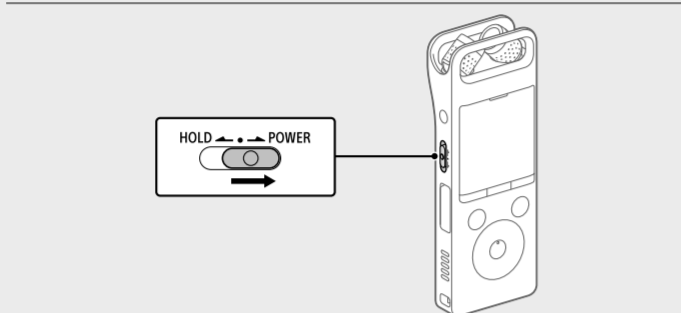
# Let's try out your new linear PCM recorder

## Charge



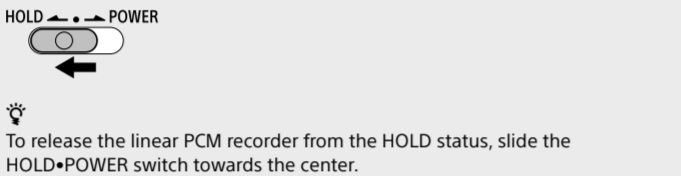
- 1 **Charge the linear PCM recorder.**  
Slide the USB slide lever in the direction of the arrow, and insert the USB connector into the USB port of a running computer. When the battery is fully charged, the battery indicator changes from the charging animation to "FULL".
- 2 **Disconnect the linear PCM recorder.**  
Make sure that the message "Accessing" is no longer on the display window. Then refer to the Help Guide to remove the linear PCM recorder safely.

## Power on



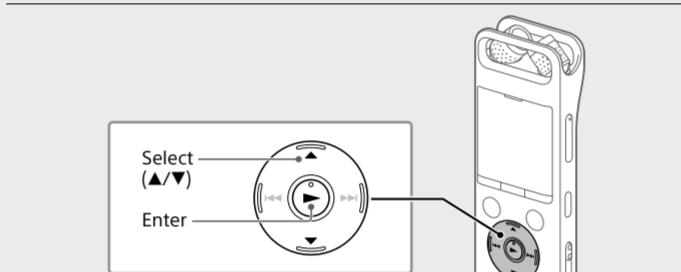
Slide and hold the HOLD+POWER switch in the direction of "POWER" until the window display appears. To turn the power off, slide the HOLD+POWER switch to "POWER" and hold it until "Power Off" appears on the display window.

**To prevent unintentional operations (HOLD)**  
Slide the HOLD+POWER switch in the direction of "HOLD."



To release the linear PCM recorder from the HOLD status, slide the HOLD+POWER switch towards the center.

## Initial settings

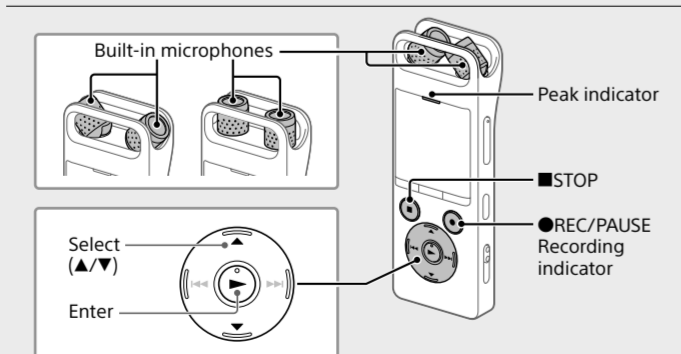


When you power on your linear PCM recorder for the first time, the "Configure Initial Settings" screen appears on the display window. You can then select the display language, set the clock, and turn on/off the beep sound.

- 1 Select "Yes" to start the initial settings.
- 2 Select the display language.  
You can select from the following languages: Deutsch (German), English, Español (Spanish), Français (French), Italiano (Italian), Русский (Russian), Türkçe (Turkish), 한국어 (Korean), 简体中文 (Simplified Chinese), 繁體中文 (Traditional Chinese)  
<sup>\*</sup> Default setting
- 3 Set the current year, month, day, hour, and minute.
- 4 Select "Next."
- 5 Select "ON" or "OFF" to turn on or off the beep sound.  
When the initial settings finish, the completion message and then the HOME menu screen appear.

**■ Note**  
You can change any of the initial settings at any time later. For detailed instructions, refer to the Help Guide.

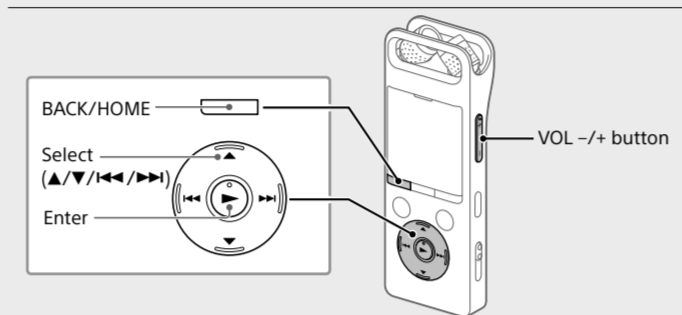
## Record



- 1 Select "Record" from the HOME menu.  
The recording standby screen appears.
- 2 Select a storage and a folder to save the recorded file.  
To save the recorded file on the microSD card, you need to change the file storage destination folder. Select "Recording Folder" - "SD Card" from the OPTION menu, and then start recording.
- 3 Adjust the angle of the linear PCM recorder's built-in microphones with your fingertips so that they point in the direction of the recording source.
- 4 Turn the linear PCM recorder so that its built-in microphones point in the direction of the target sound source.
- 5 Press and hold ●REC/PAUSE.  
The recording indicator flashes in red and the linear PCM recorder pauses for recording. When the built-in microphones pick up sounds, the peak level meter bars change in length to indicate the recording volume levels.

- 6 Press ▲ or ▼ to select the optimum recording volume level for the sound source.  
You can check the current recording volume level on the peak level meters. Adjust the recording volume so that the recording volume level stays around -12 dB (A), which fits within the optimum range. If too loud sounds are detected during recording, "OVER" (B) appears on the display window and the peak indicator lights. In such a case, turn down the recording volume by pressing ▼ until "OVER" disappears and the peak indicator goes out to avoid sound distortion. You can press and hold ▲ or ▼ to keep turning up or down the recording volume.
- 7 Press ●REC/PAUSE.  
"REC" appears on the display window and the recording indicator lights in red.
- 8 Press ■STOP to stop recording.  
"Saving..." and then recording standby screen appear on the display window.

## Listen

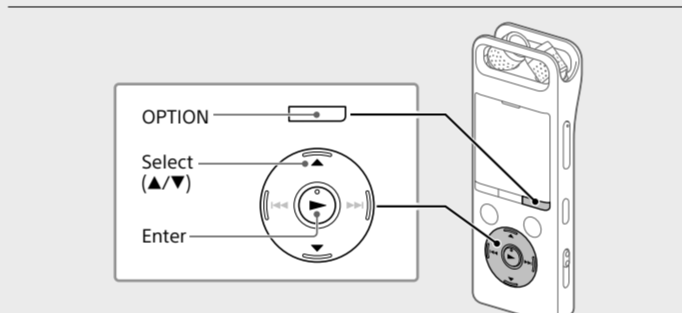


- 1 Select "Recorded Files" from the HOME menu.
- 2 Select "Latest Recording," "Search by REC Date," "Search by REC Scene," or "Folders."
- 3 Select your desired file.  
Playback starts.
- 4 Press VOL + or VOL - to adjust the volume.
- 5 Press ■STOP to stop playback.

Right after you stopped recording, you can press ► to play the file you just recorded.

**To add a track mark**  
You can add a track mark at a point at which you want to divide a file later or locate during playback. You can add a maximum of 98 track marks to each file. You can also add track marks during recording.

## Delete



- 1 **■ Note**  
Once a file is deleted, you cannot restore it.
- 1 Select the file you want to delete from the list of recorded files or play back the file you want to delete.
- 2 Select "Delete a File" from the OPTION menu.
- 3 Select "Yes."
- 4 Select "ON" or "OFF" to turn on or off the beep sound.  
When the initial settings finish, the completion message and then the HOME menu screen appear.

<sup>\*</sup>Please Wait" appears and stays until the selected file is deleted.

## Enjoy music wirelessly Listen to audio from the BLUETOOTH® audio device

You can establish a wireless connection between a Bluetooth audio device and the linear PCM recorder and listen to audio from the Bluetooth audio device.

**Make device registration (pairing)**  
To establish a wireless connection between Bluetooth audio devices for the first time, you need to have the devices registered with each other. This device registration process is called "pairing."

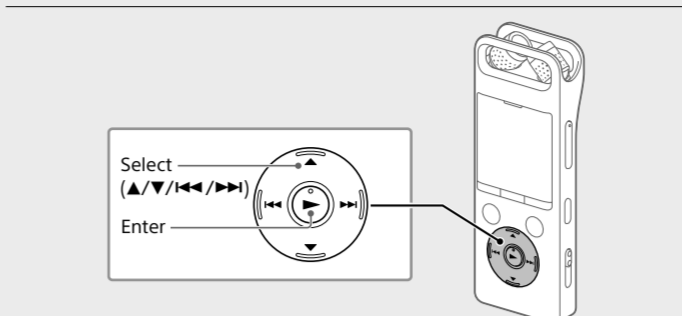
- 1 Place the Bluetooth audio device to which you establish a Bluetooth connection in pairing mode.  
Be sure to place the linear PCM recorder within 1 m from the Bluetooth audio device.
- 2 While recording is on standby, select "Bluetooth" - "Audio Device" - "Add Device (Pairing)" from the HOME menu. When either "Turn Bluetooth On?" or "Disconnect Connected Audio Device. Continue?" appears on the display window, select "Yes."
- 3 When "Search for Audio Devices. Prepare the Other Device to Connect." appears on the display window, press the ► button to start searching.  
The search for Bluetooth audio devices that are available for device registration starts and the list of the found devices appears on the display window.
- 4 Select the Bluetooth device that you want to register for establishing a Bluetooth connection.  
When the device is registered, "Connection Complete" appears on the display window.
- 5 Start playback on the linear PCM recorder.  
Now, you can listen to audio from the Bluetooth audio device.

**To disconnect the Bluetooth connection between the linear PCM recorder and the Bluetooth audio device**  
Select "Bluetooth" - "Audio Device" - "Disconnect" from the HOME menu. When the Bluetooth connection is disconnected, playback stops.

**To switch the audio output destination between the Bluetooth headphones and the connected headphones**  
While a Bluetooth connection is established, no audio is output to the headphones connected to the headphones jack. To use the connected headphones for listening, disconnect the Bluetooth connection.

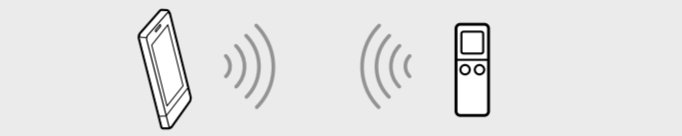
- **Notes**
  - You cannot monitor the recording audio with the connected Bluetooth audio device.
  - The recording audio is output to the ☎ (headphones) jack. Use the headphones for monitoring.

## Operations with the smartphone (REC Remote)



With the Bluetooth function of your linear PCM recorder, you can operate your linear PCM recorder (recording, changing the recording settings, etc.) using a smartphone.

**To operate your linear PCM recorder using a smartphone**  
You need to install REC Remote on the smartphone and make a pairing between the smartphone and your linear PCM recorder. Pairing means having Bluetooth devices registered with each other to establish a wireless connection for the first time. To make a pairing with the linear PCM recorder using REC Remote, you need the latest version of REC Remote. If your smartphone has REC Remote already installed, be sure to upgrade it to the latest version.



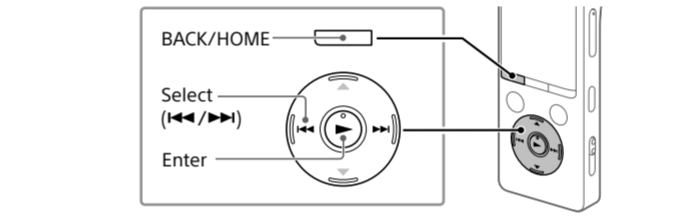
- 1 Search Google Play or App Store for REC Remote and install it on the smartphone.
- 2 On the linear PCM recorder, select "Bluetooth" - "REC Remote" - "Add Device (Pairing)" from the HOME menu and follow the on-screen instruction to turn on the Bluetooth function.
- 3 On the smartphone, start REC Remote and select "PCM-A10" (your linear PCM recorder) from the available device list. For detailed instructions, refer to the help of REC Remote and the manual supplied with the smartphone.  
Now you can use the smartphone for linear PCM recorder operations.

**To turn on or off the Bluetooth function of your linear PCM recorder**  
When you turn off the Bluetooth function, the linear PCM recorder is disconnected from all the devices connected via Bluetooth connections, including a Bluetooth audio device and a smartphone with REC Remote installed.

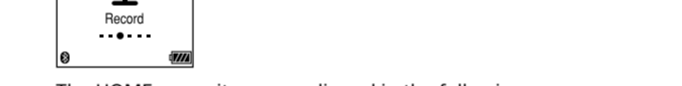
- 1 Select "Bluetooth" - "Bluetooth ON/OFF" from the HOME menu.
- 2 To turn on the Bluetooth function, select "ON." To turn it off, select "OFF."

## Using the HOME menu

You can use the HOME menu for a variety of operations, including locating and playing a recorded file and changing the settings of your linear PCM recorder.



- 1 Press and hold BACK/HOME.  
The HOME menu screen appears.



The HOME menu items are aligned in the following sequence.

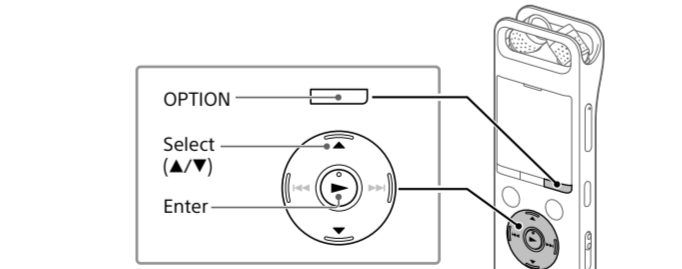
- Music Recorded Files Record Bluetooth Settings Back to XX<sup>\*</sup>
- 1 Select your desired function from the following:
  - Music You can select and play one of the files you have imported from a computer. To locate a music file, select "All Songs," "Albums," "Artists," or "Folders." When importing files, be sure to import them into the MUSIC folder.
  - Recorded Files You can select and play one of the files you have recorded with your linear PCM recorder. To locate a recorded file, select "Latest Recording," "Search by REC Date," "Search by REC Scene," or "Folders."
  - Record You can display the record standby screen, and then start recording.
  - Bluetooth You can display the menu screen for items that use the Bluetooth function, such as REC Remote, NFC, and Bluetooth audio devices. Additionally, you can turn on/off the Bluetooth function or make device registration (pairing).
  - Settings You can display the Settings menu screen and change various settings on the linear PCM recorder.
  - Back to XX<sup>\*</sup> You can go back to the screen that was displayed before the HOME menu screen.

<sup>\*</sup>The function you are currently using is displayed in "XX."

- 1 Press ■STOP to return to the screen displayed before you entered the HOME menu.

## Using the OPTION menu

You can use the OPTION menu to perform a variety of functions, including changing the settings of your linear PCM recorder. The available items differ depending on the situation.

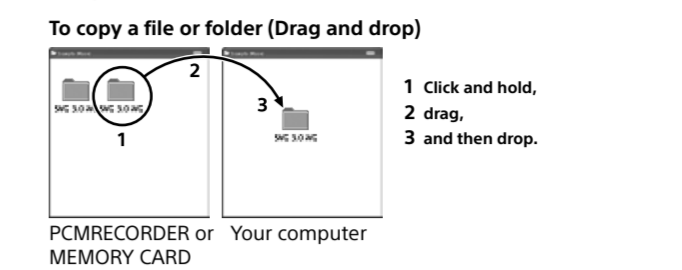


- 1 Select your desired function from the HOME menu, and then press OPTION.
- 2 Select the menu item for which you want to change the setting.
- 3 Select your desired setting option.

## Copying files from your linear PCM recorder to a computer

You can copy the files and folders from your linear PCM recorder to a computer to store them.

- 1 Follow the instructions in "Charge" to connect your linear PCM recorder to a computer.
- 2 Drag and drop the files or folders you want to copy from "PCMRECORDER" or "MEMORY CARD" to the local disk on the computer.



- 3 Disconnect your linear PCM recorder from the computer.

## Installing Sound Organizer 2

Install Sound Organizer on your computer. Sound Organizer allows you to exchange files between your linear PCM recorder and your computer. Songs imported from music CDs and other media, MP3 and other audio files imported to a computer can also be played and transferred to the linear PCM recorder.

- **Notes**
  - Sound Organizer is compatible with Windows computers only. It is not compatible with Mac.
  - This linear PCM recorder is compatible with Sound Organizer 2 only.
  - If you format the built-in memory, all data stored there will be deleted. (The Sound Organizer software installer will also be deleted.)

**■ Note**  
When installing Sound Organizer, log in to an account with administrator privileges.  
The installation procedure varies depending on the Windows version. The following procedure uses Windows 10 as an example.

- 1 Follow the instructions in "Charge" to connect your linear PCM recorder to a computer.
- 2 Make sure the linear PCM recorder is successfully detected by the computer.  
"Connecting" appears and stays on the linear PCM recorder's display window while the linear PCM recorder is connected to the computer.
- 3 Right-click at the bottom left corner of the desktop, and then click [File Explorer] on the menu.
- 4 Double-click [PCMRECORDER] - [FOR WINDOWS].
- 5 Double-click [SoundOrganizer\_V2001] (or [SoundOrganizer\_V2001.exe]).  
Follow the computer's on-screen instructions.
- 6 When the [Welcome to Sound Organizer 2 Installer] window appears, click [Next].
- 7 Make sure that you accept the terms of the license agreement, select [I accept the terms in the license agreement], and then click [Next].
- 8 When the [Setup Type] window appears, select [Standard] or [Custom], and then click [Next].  
Follow the instructions on the screen and set the installation settings when you select [Custom].
- 9 When the [Ready to Install the Program] window appears, click [Install].  
The installation starts.
- 10 When the [Sound Organizer 2 has been installed successfully.] window appears, check [Launch Sound Organizer 2 Now], and then click [Finish].

- **Note**  
You may need to restart your computer after installing Sound Organizer 2.

## Precautions

**On power**  
DC 3.7V : the built-in rechargeable lithium-ion battery  
DC 5.0V : when charged using USB  
Rated current consumption : 500mA

**On safety**  
Do not operate the unit while driving, cycling or operating any motorized vehicle.

**On handling**  
• Do not leave the unit in a location near heat sources, or in a place subject to direct sunlight, excessive dust or mechanical shock.  
• Should any solid object or liquid fall into the unit, remove the battery and have the unit checked by qualified personnel before operating it any further.

- When using your linear PCM recorder, remember to follow the precautions below in order to avoid warping the cabinet or causing the linear PCM recorder to malfunction.
    - Do not sit down with the linear PCM recorder in your back pocket.
    - Do not put your linear PCM recorder into a bag with the headphones/earphones cord wrapped around it and subject the bag to strong impact.
    - Be careful not to allow water to splash on the unit. The unit is not waterproof. In particular, be careful in the following situations.
      - When you have the unit in your pocket and go to the bathroom, etc.
      - When you bend down, the unit may drop into the water and may get wet.
      - When you use the unit in an environment where the unit is exposed to rain, snow, or humidity.
      - In circumstances where you get sweaty, if you touch the unit with wet hands or if you put the unit in the pocket of sweaty clothes, the unit may get wet.
    - Listening with this unit at high volume may affect your hearing.
    - For traffic safety, do not use this unit while driving or cycling.
    - Do not use this unit at a place where the inability to hear surrounding sounds may present a danger.
    - You may feel pain in your ears if you use the headphones when the ambient air is very dry.
- This is not because of a malfunction of the headphones, but because of static electricity accumulated in your body. You can reduce static electricity by wearing non-synthetic clothes that prevent the emergence of static electricity.

**On noise**  
• Noise may be heard when the unit is placed near an AC power source, a fluorescent lamp or a mobile phone during recording or playback.  
• Noise may be recorded when an object, such as your finger, etc., rubs or scratches the unit during recording.

**On maintenance**  
To clean the exterior, use a soft cloth slightly moistened in water. Then use a soft dry cloth to wipe the exterior. Do not use alcohol, benzene or thinner.  
If you have any questions or problems concerning your unit, please consult your nearest Sony dealer.

- **Notes on the Bluetooth function**
  - Bluetooth wireless technology allows connection at a distance of up to about 10 m. However, the effective range may vary depending on obstructions (people, metals, walls, etc.) or signal status.
  - Because Bluetooth and wireless LAN (IEEE802.11b/g) devices use the same frequency (2.4 GHz), signal interference may occur, resulting in communication speed decrease, noise, or inability to connect. If Bluetooth communications are used near a wireless LAN device. In such cases, take the following measures.
    - Perform Bluetooth communications at least 10 m away from the wireless LAN device when connecting your linear PCM recorder and a Bluetooth device.
    - Place your linear PCM recorder and the Bluetooth device as close together as possible.
    - Turn off the wireless LAN device when performing Bluetooth communications within about 10 m of a wireless LAN device.
  - Radio waves emitted from a Bluetooth device may affect the operation of equipment such as electronic medical devices. Turn off your linear PCM recorder and other Bluetooth devices in the following locations as failure to do so may cause an accident.
    - In hospitals, near priority seats on trains, in airplanes, in places such as gasoline stations where flammable gases are present, near automatic doors or fire alarms.

## WARNING

- Do not expose the batteries (battery pack or batteries installed) to excessive heat such as sunshine, fire or the like for a long time.
- Do not dismantle, open or shred secondary cells or batteries.
- Do not expose cells or batteries to heat or fire. Avoid storage in direct sunlight.
- In the event of a cell leaking, do not allow the liquid to come in contact with the skin or eyes. If contact has been made, wash the affected area with copious amounts of water and seek medical advice.
- Secondary cells and batteries need to be charged before use. Always refer to the manufacturer's instructions or equipment manual for proper charging instructions.
- After extended periods of storage, it may be necessary to charge and discharge the cells or batteries several times to obtain maximum performance.
- Dispose of properly.

## CAUTION

Danger of explosion if battery is incorrectly replaced. Replace only with the same or equivalent type.  
Risk of explosion if battery is replaced by an incorrect type. Dispose of used batteries according to the instructions.

## Information for customers in the UAE

TRA  
REGISTERED No:ER64908/18  
DEALER No: DA0063605/11

This equipment has been tested and found to comply with the limits set out in the EMC regulation using a connection cable shorter than 3 meters.

**Notice for users**  
All rights reserved. This manual or the software described herein, in whole or in part, may not be reproduced, translated or reduced to any machine readable form without prior written approval from Sony Corporation.  
What you record is for personal enjoyment and use only. Copyright laws prohibit other forms of use without the permission of the copyright holders.

## Specifications

**Capacity (User available capacity<sup>\*1</sup>)**  
16 GB (approx. 12.80 GB = 13,743,895,347 Byte)

**Maximum recording time<sup>\*1</sup> (Built-in memory)**  
The maximum recording time of all the folders is as follows.

LPCM 96 kHz/24 bit (STEREO)	6 hours 35 minutes
LPCM 48 kHz/24 bit (STEREO)	13 hours 15 minutes
LPCM 48 kHz/16 bit (STEREO)	19 hours 50 minutes
LPCM 44.1 kHz/24 bit (STEREO)	14 hours 25 minutes
LPCM 44.1 kHz/16 bit (STEREO)	21 hours 35 minutes
MP3 320 kbps (STEREO)	95 hours 25 minutes
MP3 192 kbps (STEREO)	159 hours
MP3 128 kbps (STEREO)	238 hours
MP3 48 kbps (MONO)	636 hours

**Battery Life (a built-in rechargeable lithium-ion battery)<sup>\*4</sup>**  
The battery life spans provided here are all approximate periods of time. For the battery life of the linear PCM recorder in any other mode, refer to the Help Guide.

REC Mode	Recording	Playback with the built-in speaker	Playback with the headphones	Recording with REC Remote	Playback via the Bluetooth connection
LPCM 96 kHz/24 bit	15 hours	9 hours	18 hours	10 hours	14 hours
LPCM 44.1 kHz/16 bit	20 hours	9 hours	22 hours	12 hours	18 hours
MP3 192 kbps	22 hours	10 hours	25 hours	12 hours	18 hours
Music file (LPCM 192 kHz/24 bit)	-	7 hours	13 hours	-	10 hours

**Dimensions (w/h/d) (not incl. projecting parts and controls)**  
Approx. 39.2 mm × 109.5 mm × 16.0 mm

**Mass**  
Approx. 82 g

**Temperature/Humidity**

Operating temperature	5°C - 35°C
Operating humidity	25% - 75%
Storage temperature	-10°C - 45°C
Storage humidity	25% - 75%

**Compatible memory cards**  
• microSDHC cards from 4 GB to 32 GB  
• microSDXC cards of 64 GB or more

<sup>\*1</sup> A small amount of the built-in memory is used for file management and therefore not available for user storage.  
<sup>\*2</sup> When the built-in memory is formatted with the linear PCM recorder.  
<sup>\*3</sup> Default settings for the recording scenes.  
<sup>\*4</sup> Measured values acquired under our measurement conditions. These values may decrease depending on the usage conditions.

## Trademarks and licenses

- Microsoft, Windows and Windows Media are registered trademarks or trademarks of Microsoft Corporation in the United States and/or other countries.
- microSD, microSDHC and microSDXC logos are trademarks of SD-3C, LLC.



- MPEG Layer-3 audio coding technology and patents licensed from Fraunhofer IIS and Thomson.
- Google Play is a trademark of Google LLC.
- Apple, the Apple logo, iPhone and Mac are trademarks of Apple Inc., registered in the U.S. and other countries.
- App Store is a service mark of Apple Inc., registered in the U.S. and other countries.
- Use of the Made for Apple badge means that an accessory has been designed to connect specifically to the Apple product(s) identified in the badge, and has been certified by the developer to meet Apple performance standards. Apple is not responsible for the operation of this device or its compliance with safety and regulatory standards.
- Compatible iPhone models: iPhone X, iPhone 8, iPhone 8 Plus, iPhone 7, iPhone 7 Plus, iPhone SE, iPhone 6s, iPhone 6s Plus, iPhone 6, iPhone 6 Plus, iPhone 5s, iPhone 5c, iPhone 5



- The "BLUETOOTH" word mark and logos are registered trademarks owned by Bluetooth SIG, Inc. and any use of such marks by Sony Corporation is under license. Other trademarks and trade names are those of their respective owners.



- The N-Mark is a trademark or registered trademark of NFC Forum, Inc. in the United States and in other countries.



All other trademarks and registered trademarks are trademarks or registered trademarks of their respective holders. Furthermore, "TM" and "SM" are not mentioned in each in this manual.

This product is protected by certain intellectual property rights of Microsoft Corporation. Use or distribution of such technology outside of this product is prohibited without a license from Microsoft or an authorized Microsoft subsidiary.

The "Sound Organizer 2" uses software modules as shown below: Windows Media Format Runtime

**Notes on the License**  
This linear PCM recorder comes with software that is used based on licensing agreements with the owners of that software. Based on requests by the owners of copyright of these software applications, we have an obligation to inform you of the following. Please read the following sections.  
Licenses (in English) are recorded in the built-in memory of your linear PCM recorder. Establish a Mass Storage connection between the linear PCM recorder and a computer to read licenses in the "LICENSE" folder.

**On GNU GPL/LGPL applied software**  
The software that is eligible for the following GNU General Public License (hereinafter referred to as "GPL") or GNU Lesser General Public License (hereinafter referred to as "LGPL") is included in the linear PCM recorder. This informs you that you have a right to have access to, modify, and redistribute source code for these software programs under the conditions of the supplied GPL/LGPL.  
Source code is provided on the web. Use the following URL to download it. <http://www.sony.net/Products/lineup>  
We would prefer you do not contact us about the contents of source code. Licenses (in English) are recorded in the built-in memory of your linear PCM recorder. Establish a Mass Storage connection between the linear PCM recorder and a computer to read licenses in the "LICENSE" folder.

## 使用說明書

線性PCM錄音機



PCM-A10

線性PCM錄音機，內建麥克風，可將聲音錄入內建記憶體。

經型式認證合格之低功率射頻電機，非經許可，公司、商號或使用者均不得擅自變更頻率、加大功率或變更原設計之特性及功能。低功率射頻電機之使用不得影響飛航安全及干擾合法通信；經發現有干擾現象時，應立即停用，並改善至無干擾時方得繼續使用。前項合法通信，指依電信法規定作業之無線電通信。低功率射頻電機須忍受合法通信或工業、科學及醫療用電波輻射性電機設備之干擾。

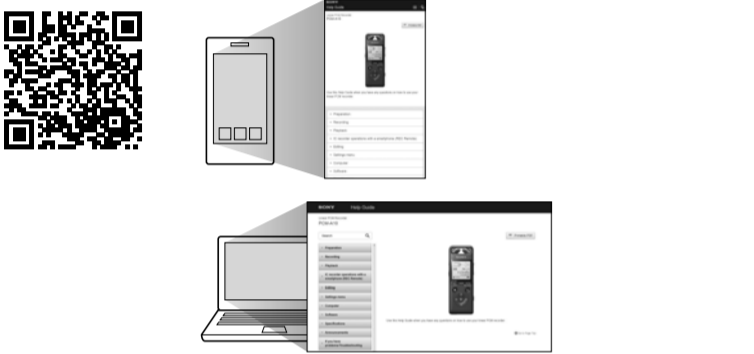
### 詳情請參閱說明指南

這是一份提供線性PCM錄音機基礎操作說明的使用說明書。說明指南是線上手冊。

如果您想要瞭解進一步的詳細資料、操作說明，以及問題發生時可行的解決方案，請參閱說明指南。

線性PCM錄音機，內建麥克風，可將聲音錄入內建記憶體。

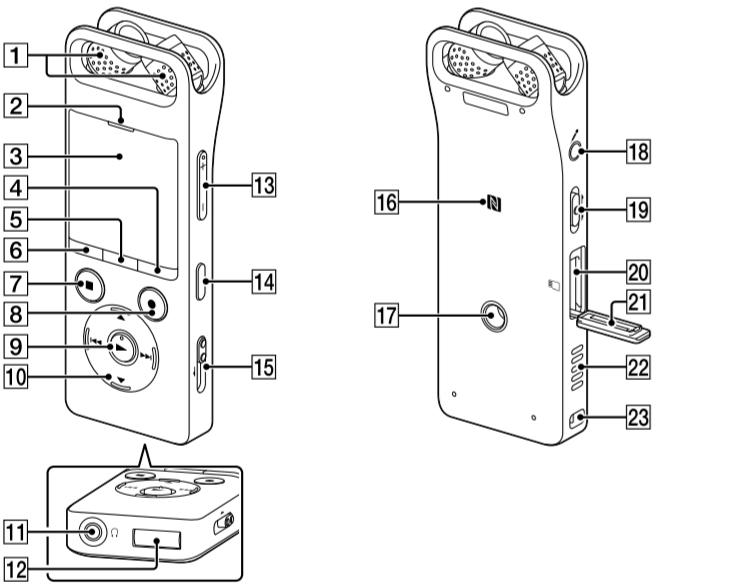
http://rd1.sony.net/help/icd/pcm/a10/h\_zz/



### 請檢查附件項目

- 線性PCM錄音機 (1)
- 防風罩 (1)
- 攜行包 (1)
- 使用說明書 (本理頁)
- 保固卡 (1)
- Sound Organizer 2應用程式軟體（安裝程序檔案儲存於內建記憶體，您可以將軟體安裝在電腦上。）

### 零件與控制按鈕



- 內建麥克風
- 峰值指示燈
- 顯示視窗
- OPTION按鈕
- T-MARK（曲目標記）按鈕
- BACK/◀HOME按鈕
- STOP按鈕
- REC/PAUSE（錄音/暫停）按鈕、錄音指示燈
- ▶（播放/輸入）按鈕\*1
- 控制按鈕（▲DPC（Digital Pitch Control）、▼◀A-B（重播A-B）、◀◀（倒帶/快倒）、▶▶（提示/快進））
- ◻（耳機）插孔
- USB接頭保護蓋（您可將USB接頭收到保護蓋內。）
- VOL -/+\*\*（音量 -/+）按鈕
- REHEARSAL按鈕
- USB轉接

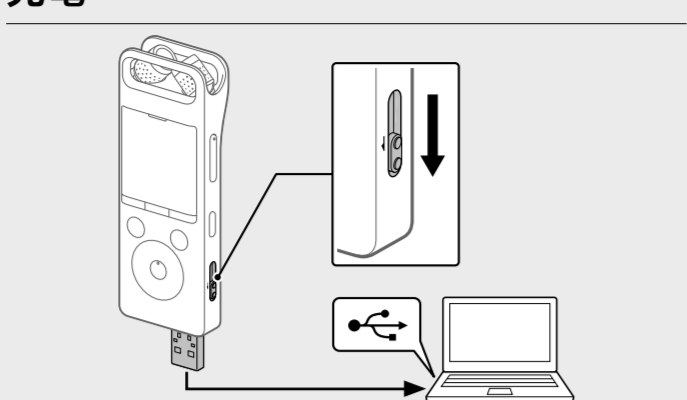
- （標記）（將支援NFC的智慧型手機靠近此標記即可建立NFC配對。）
- 三腳架安裝孔（本線性PCM錄音機未隨附三腳架。）
- ◻（麥克風）插孔
- HOLD+POWER開關\*2
- microSD記憶卡插槽（記憶卡插槽位在保護蓋下方。）
- 槽保護蓋
- 內建喇叭
- 線帶孔（線性PCM錄音機未隨附腕帶。）

\*1▶（播放/輸入）按鈕和VOL.（音量）按鈕具有觸點，操作線性PCM錄音機時可以使用觸點作為參考。

\*2將HOLD+POWER開關向“POWER”並按住8秒以上，即可重新啟動線性PCM錄音機。如圖詳細說明，請參閱說明指南。

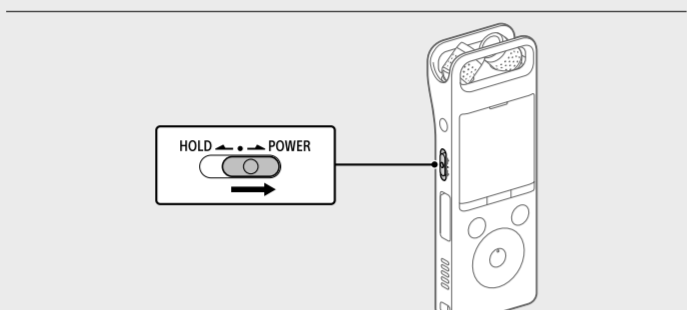
## 開始使用全新的線性PCM錄音機

### 充電



- 充電線性PCM錄音機。**將USB轉接頭插入正在運行的電腦的USB連接埠。電池完全充滿時，電池指示燈會從充電動畫切換成**■**。
- 中斷連接線性PCM錄音機。**確認顯示視窗沒有繼續顯示“Accessing”訊息。然後參閱說明指南，安全地移除線性PCM錄音機。

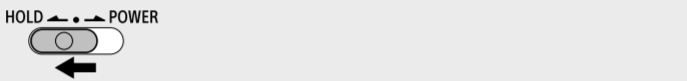
### 開啟電源



將HOLD+POWER開關向“POWER”方向滑動且保持不動，直到出現視窗顯示。若要關閉電源，請將HOLD+POWER開關滑向“POWER”且保持不動，直到“Power Off”出現在顯示視窗上。

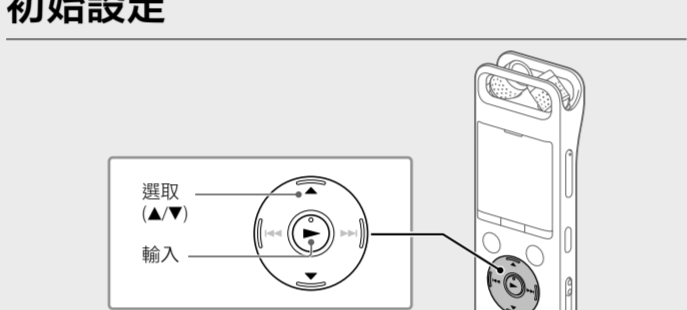
**防止意外操作（HOLD）**

將HOLD+POWER開關向“HOLD”方向滑動。



若要解除線性PCM錄音機的HOLD狀態，請將HOLD+POWER開關滑向中間位置。

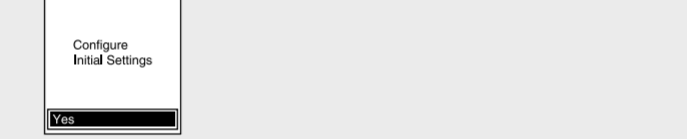
### 初始設定



線性PCM錄音機，內建麥克風，可將聲音錄入內建記憶體。

首次開啟線性PCM錄音機的電源時，“Configure Initial Settings”畫面會出現在顯示視窗上。接著您可選取顯示語言、設定時鐘，以及開啟/關閉降噪。

- 選取“**Yes**”開始進行初始設定。



- 選取顯示語言。您可選取以下語言：Deutsch（德文）、English\*（英文）、Español（西班牙文）、Français（法文）、Italiano（義大利文）、Русский（俄文）、Türkçe（土耳其文）、한국어（韓文）、繁體中文（簡體中文）、繁體中文\*預設設定

- 設定目前的年、月、日和時分。

您可選取以下語言：

- 選取“**Next**”。

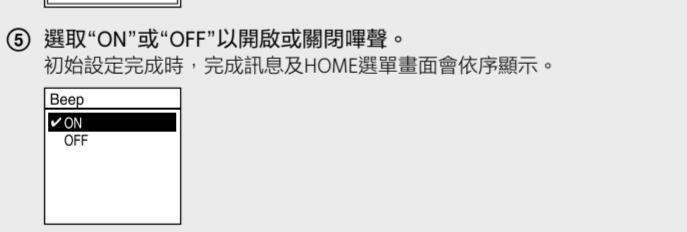
若要返回上一個時鐘設定項目，請按BACK/HOME。

- 選取“**Next**”。

此時會顯示“Delete?”，且選取的檔案會開始播放供您確認。

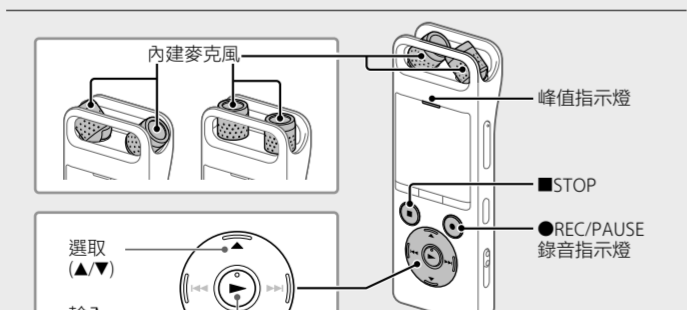
- 選取“**Yes**”。

此時會顯示“Please Wait”，直到選取的檔案刪除為止。



■**附註**  
您之後隨時可以變更任何初始設定。如需詳細說明，請參閱說明指南。

### 錄音



■**附註**  
您之後隨時可以變更任何初始設定。如需詳細說明，請參閱說明指南。

開始錄音前，請確認HOLD狀態已解除。

- 從HOME選單選取**●**Record\*。錄音待機畫面會隨即顯示。

- 選取儲存裝置及資料夾以儲存錄音檔。

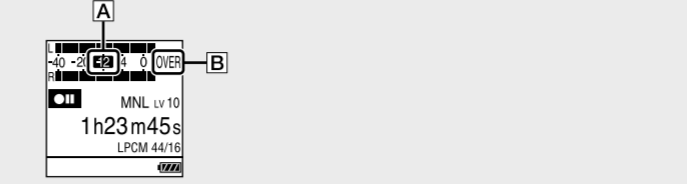
■**附註**  
若要在microSD記憶卡中儲存錄音檔，您必須變更檔案儲存目的地資料夾。從OPTION選單選取“Recording Folder”-“SD Card”，然後開始錄音。

- 用指尖調整線性PCM錄音機內建麥克風的角度，確定麥克風朝向錄音音源。

- 轉動線性PCM錄音機，使內建麥克風朝向目標音源。

- 按住**●**REC/PAUSE。錄音指示燈會閃爍紅色，且線性PCM錄音機會暫停錄音。當內建麥克風收音時，峰值位準表的指示棒長度會根據錄音音量而改變。

- 按**▲**或**▼**將音源設為理想的錄音音量。您可以在峰值位準表上查看目前錄音音量。調整錄音音量，將錄音音量保持在大約-12 dB（**A**）的理想範圍內。如果錄音時偵測到音量太高，“OVER”（**B**）會出現在顯示視窗上且峰值指示燈會閃爍。這時，請按**▼**直到“OVER”消失且峰值指示燈熄滅來降低錄音音量，以避免聲音失真。您可按住**▲**或**▼**，持續調高或調低錄音音量。

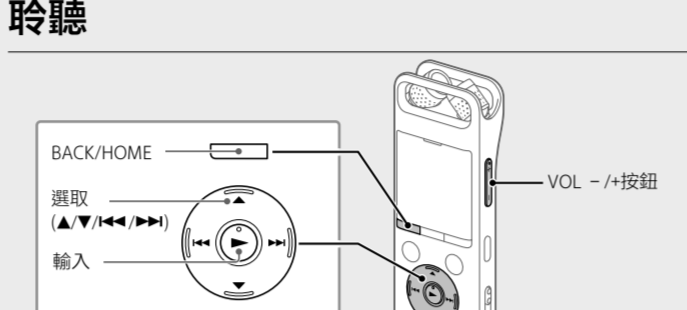


■**附註**  
您可使用排練功能輕鬆調整錄音音量。如需排練功能的說明，請參閱說明指南。

- 按**●**REC/PAUSE。“REC”會出現在顯示視窗上，且錄音指示燈會亮起紅色。

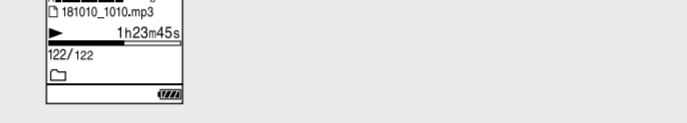
- 按**■**STOP停止錄音。“Saving.”及錄音待機畫面會依序出現在顯示視窗上。

### 聆聽



線性PCM錄音機，內建麥克風，可將聲音錄入內建記憶體。

- 從HOME選單選取 ◻ Recorded Files\*。
- 選取“Latest Recording”、“Search by REC Date”、“Search by REC Scene”或“Folders”。
- 選取您要的檔案。播放隨即開始。

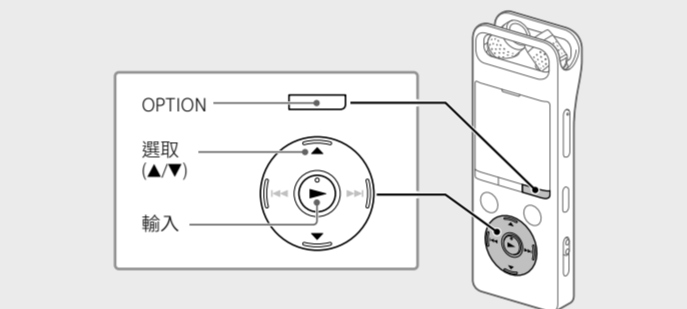
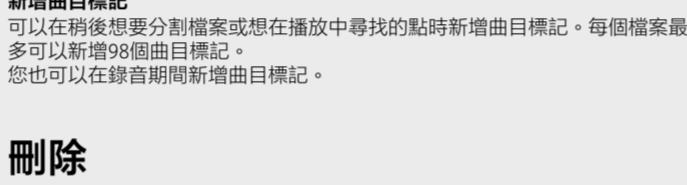


- 按VOL +或VOL -調整音量。

- 按**■**STOP停止播放。

停止錄音後，您可按**▶**立即播放剛錄製的檔案。

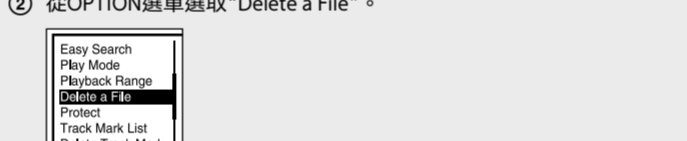
**新增曲目標記**  
您可以在播放後要分別檔案或想在播放中尋找的點時新增曲目標記。每個檔案最多可以新增08個曲目標記。您也可以將在錄音期間新增曲目標記。



■**附註**  
一旦檔案被刪除，就不能還原。

- 從已錄製檔案的清單中選取您要刪除的檔案，或播放您要刪除的檔案。

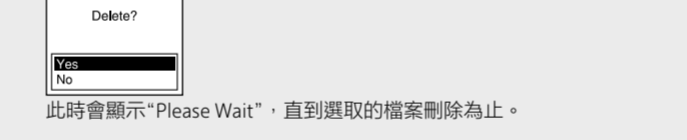
- 從OPTION選單選取“Delete a File”。



此時會顯示“Delete?”，且選取的檔案會開始播放供您確認。

- 選取“**Yes**”。

此時會顯示“Please Wait”，直到選取的檔案刪除為止。



■**附註**  
您之後隨時可以變更任何初始設定。如需詳細說明，請參閱說明指南。

### 以無線方式欣賞音樂 從BLUETOOTH®音訊裝置聆聽音訊

您可在Bluetooth音訊裝置與線性PCM錄音機之間建立無線連線，並從Bluetooth音訊裝置聆聽音訊。

**裝置註冊（配對）**

若是第一次在Bluetooth音訊裝置之間建立無線連線，您必須先相互註冊裝置。此裝置註冊程序稱為“配對”。

- 將您要建立Bluetooth連線的Bluetooth音訊裝置切換至配對模式。將線性PCM錄音機放在距離Bluetooth音訊裝置1公尺的範圍內。

- 錄音處於待機狀態時，請從HOME選單選取 ● Bluetooth™ - “Audio Device” - “Add Device (Pairing)”。

當“Turn Bluetooth On?”或“Disconnect Connected Audio Device. Continue?”出現在顯示視窗上時，請選取“**Yes**”。

- 當“Search for Audio Devices. Prepare the Other Device to Connect.”出現在顯示視窗上時，請按**▶**按鈕開始搜尋。

這時會開始搜尋可用於裝置註冊的Bluetooth音訊裝置，已發現裝置的清單會出現在顯示視窗上。

- 選取您要註冊並建立Bluetooth連線的Bluetooth裝置。

裝置註冊後，“Connection Complete”會出現在顯示視窗上。

- 在線性PCM錄音機上開始播放。

現在，您可以從Bluetooth音訊裝置聆聽音訊。

**中斷線性PCM錄音機與Bluetooth音訊裝置之間的Bluetooth連線**

從HOME選單選取 ● Bluetooth™ - “Audio Device” - “Disconnect”。

當Bluetooth連線中斷時，播放就會停止。

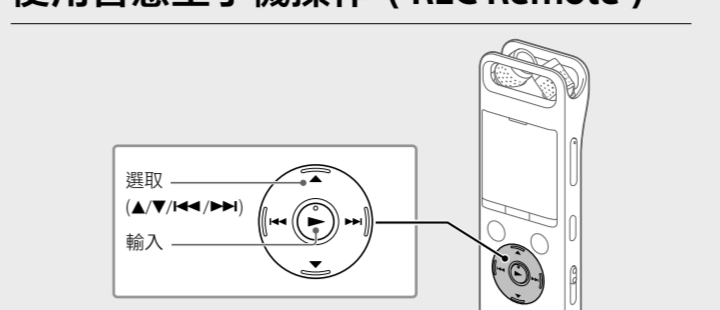
**在Bluetooth耳機與已連接耳機之間切換音訊輸出目的地**

當Bluetooth連線建立時，音訊不會輸出至與耳機插孔相連接的耳機。若要使用連接的耳機聆聽音訊，請中斷Bluetooth連線。

■**附註**

- 您無法使用連接的Bluetooth音訊裝置監聽錄音。
- 錄音會輸出至◻（耳機）插孔。使用耳機進行監聽。

### 使用智慧型手機操作（REC Remote）



透過線性PCM錄音機的Bluetooth功能，您可使用智慧型手機來操作線性PCM錄音機（錄音、變更錄音設定等）。

**使用智慧型手機操作線性PCM錄音機**

您需要在智慧型手機上安裝REC Remote，並讓智慧型手機和線性PCM錄音機進行配對。

配對是指讓Bluetooth裝置相互註冊並初次建立無線連線的程序。

若要使用REC Remote與線性PCM錄音機進行配對，您必須使用最新版的REC Remote。若您的智慧型手機已安裝REC Remote，請務必升級為最新版。



■**附註**  
您之後隨時可以變更任何初始設定。如需詳細說明，請參閱說明指南。

- 在Google Play或App Store搜尋REC Remote並安裝至智慧型手機。

- 在線性PCM錄音機上，從HOME選單選取 ● Bluetooth™ - “REC Remote” - “Add Device (Pairing)”，並依照螢幕上的指示開啟Bluetooth功能。

- 在智慧型手機上啟動REC Remote，並從可用裝置清單選取“PCM-A10”（您的線性PCM錄音機）。如需詳細說明，請參閱REC Remote的說明及智慧型手機隨附的手冊。

現在，您可以使用智慧型手機執行線性PCM錄音機操作。

**開啟或關閉線性PCM錄音機的Bluetooth功能**

關閉Bluetooth功能時，線性PCM錄音機與透過Bluetooth進行連接的所有裝置會中斷連線，包括Bluetooth音訊裝置及已安裝REC Remote的智慧型手機。

- 從HOME選單選取 ● Bluetooth™ - “Bluetooth ON/OFF”。

■**附註**  
您之後隨時可以變更任何初始設定。如需詳細說明，請參閱說明指南。

■**附註**  
您之後隨時可以變更任何初始設定。如需詳細說明，請參閱說明指南。

■**附註**  
您之後隨時可以變更任何初始設定。如需詳細說明，請參閱說明指南。

■**附註**  
您之後隨時可以變更任何初始設定。如需詳細說明，請參閱說明指南。

■**附註**  
您之後隨時可以變更任何初始設定。如需詳細說明，請參閱說明指南。

■**附註**  
您之後隨時可以變更任何初始設定。如需詳細說明，請參閱說明指南。

■**附註**  
您之後隨時可以變更任何初始設定。如需詳細說明，請參閱說明指南。

■**附註**  
您之後隨時可以變更任何初始設定。如需詳細說明，請參閱說明指南。

■**附註**  
您之後隨時可以變更任何初始設定。如需詳細說明，請參閱說明指南。

■**附註**  
您之後隨時可以變更任何初始設定。如需詳細說明，請參閱說明指南。

■**附註**  
您之後隨時可以變更任何初始設定。如需詳細說明，請參閱說明指南。

■**附註**  
您之後隨時可以變更任何初始設定。如需詳細說明，請參閱說明指南。

■**附註**  
您之後隨時可以變更任何初始設定。如需詳細說明，請參閱說明指南。

■**附註**  
您之後隨時可以變更任何初始設定。如需詳細說明，請參閱說明指南。

■**附註**  
您之後隨時可以變更任何初始設定。如需詳細說明，請參閱說明指南。

■**附註**  
您之後隨時可以變更任何初始設定。如需詳細說明，請參閱說明指南。

■**附註**  
您之後隨時可以變更任何初始設定。如需詳細說明，請參閱說明指南。

■**附註**  
您之後隨時可以變更任何初始設定。如需詳細說明，請參閱說明指南。

■**附註**  
您之後隨時可以變更任何初始設定。如需詳細說明，請參閱說明指南。

■**附註**  
您之後隨時可以變更任何初始設定。如需詳細說明，請參閱說明指南。

■**附註**  
您之後隨時可以變更任何初始設定。如需詳細說明，請參閱說明指南。

■**附註**  
您之後隨時可以變更任何初始設定。如需詳細說明，請參閱說明指南。

■**附註**  
您之後隨時可以變更任何初始設定。如需詳細說明，請參閱說明指南。

■**附註**  
您之後隨時可以變更任何初始設定。如需詳細說明，請參閱說明指南。

■**附註**  
您之後隨時可以變更任何初始設定。如需詳細說明，請參閱說明指南。

■**附註**  
您之後隨時可以變更任何初始設定。如需詳細說明，請參閱說明指南。

■**附註**  
您之後隨時可以變更任何初始設定。如需詳細說明，請參閱說明指南。

■**附註**  
您之後隨時可以變更任何初始設定。如需詳細說明，請參閱說明指南。

■**附註**  
您之後隨時可以變更任何初始設定。如需詳細說明，請參閱說明指南。

■**附註**  
您之後隨時可以變更任何初始設定。如需詳細說明，請參閱說明指南。

■**附註**  
您之後隨時可以變更任何初始設定。如需詳細說明，請參閱說明指南。

■**附註**  
您之後隨時可以變更任何初始設定。如需詳細說明，請參閱說明指南。

■**附註**  
您之後隨時可以變更任何初始設定。如需詳細說明，請參閱說明指南。

■**附註**  
您之後隨時可以變更任何初始設定。如需詳細說明，請參閱說明指南。

■**附註**  
您之後隨時可以變更任何初始設定。如需詳細說明，請參閱說明指南。

■**附註**  
您之後隨時可以變更任何初始設定。如需詳細說明，請參閱說明指南。

■**附註**  
您之後隨時可以變更任何初始設定。如需詳細說明，請參閱說明指南。

■**附註**  
您之後隨時可以變更任何初始設定。如需詳細說明，請參閱說明指南。

■**附註**  
您之後隨時可以變更任何初始設定。如需詳細說明，請參閱說明指南。

■**附註**  
您之後隨時可以變更任何初始設定。如需詳細說明，請參閱說明指南。

■**附註**  
您之後隨時可以變更任何初始設定。如需詳細說明，請參閱說明指南。

■**附註**  
您之後隨時可以變更任何初始設定。如需詳細說明，請參閱說明指南。

■**附註**  
您之後隨時可以變更任何初始設定。如需詳細說明，請參閱說明指南。

■**附註**  
您之後隨時可以變更任何初始設定。如需詳細說明，請參閱說明指南。

■**附註**  
您之後隨時可以變更任何初始設定。如需詳細說明，請參閱說明指南。

■**附註**  
您之後隨時可以變更任何初始設定。如需詳細說明，請參閱說明指南。

■**附註**  
您之後隨時可以變更任何初始設定。如需詳細說明，請參閱說明指南。

■**附註**  
您之後隨時可以變更任何初始設定。如需詳細說明，請參閱說明指南。

■**附註**  
您之後隨時可以變更任何初始設定。如需詳細說明，請參閱說明指南。

■**附註**  
您之後隨時可以變更任何初始設定。如需詳細說明，請參閱說明指南。

■**附註**  
您之後隨時可以變更任何初始設定。如需詳細說明，請參閱說明指南。

■**附註**  
您之後隨時可以變更任何初始設定。如需詳細說明，請參閱說明指南。

■**附註**  
您之後隨時可以變更任何初始設定。如需詳細說明，請參閱說明指南。

■**附註**  
您之後隨時可以變更任何初始設定。如需詳細說明，請參閱說明指南。

■**附註**  
您之後隨時可以變更任何初始設定。如需詳細說明，請參閱說明指南。

■**附註**  
您之後隨時可以變更任何初始設定。如需詳細說明，請參閱說明指南。

■**附註**  
您之後隨時可以變更任何初始設定。如需詳細說明，請參閱說明指南。

■**附註**  
您之後隨時可以變更任何初始設定。如需詳細說明，請參閱說明指南。

■**附註**  
您之後隨時可以變更任何初始設定。如需詳細說明，請參閱說明指南。

■**附註**  
您之後隨時可以變更任何初始設定。如需詳細說明，請參閱說明指南。

■**附註**  
您之後隨時可以變更任何初始設定。如需詳細說明，請參閱說明指南。

■**附註**  
您之後隨時可以變更任何初始設定。如需詳細說明，請參閱說明指南。

■**附註**  
您之後隨時可以變更任何初始設定。如需詳細說明，請參閱說明指南。

■**附註**  
您之後隨時可以變更任何初始設定。如需詳細說明，請參閱說明指南。

■**附註**  
您之後隨時可以變更任何初始設定。如需詳細說明，請參閱說明指南。

■**附註**  
您之後隨時可以變更任何初始設定。如需詳細說明，請參閱說明指南。

■**附註**  
您之後隨時可以變更任何初始設定。如需詳細說明，請參閱說明指南。

■**附註**  
您之後隨時可以變更任何初始設定。如需詳細說明，請參閱說明指南。

■**附註**  
您之後隨時可以變更任何初始設定。如需詳細說明，請參閱說明指南。

■**附註**  
您之後隨時可以變更任何初始設定。如需詳細說明，請參閱說明指南。

■**附註**  
您之後隨時可以變更任何初始設定。如需詳細說明，請參閱說明指南。

### 安裝Sound Organizer 2

將Sound Organizer安裝到您的電腦。

Sound Organizer可讓您在線性PCM錄音機與電腦之間交換檔案。您也可以播放從音樂CD和其他媒體匯入的歌曲、匯入到電腦的MP3和其他音訊檔案，並將其傳輸到線性PCM錄音機上。

- 附註**
  - Sound Organizer僅相容於Windows電腦，不相容於Mac。
  - \*線性PCM錄音機僅相容於Sound Organizer 2。
  - \*如果您格式化內建記憶體，會刪除該處所有儲存的資料。（Sound Organizer軟體安裝程式將會一併刪除。）

■**附註**  
您之後隨時可以變更任何初始設定。如需詳細說明，請參閱說明指南。

- 選擇“**充電**”中的指示將線性PCM錄音機連接到電腦。

- 確定電腦成功偵測到線性PCM錄音機。當線性PCM錄音機連接到電腦時，“Connecting”將會出現並持續顯示在線性PCM錄音機的